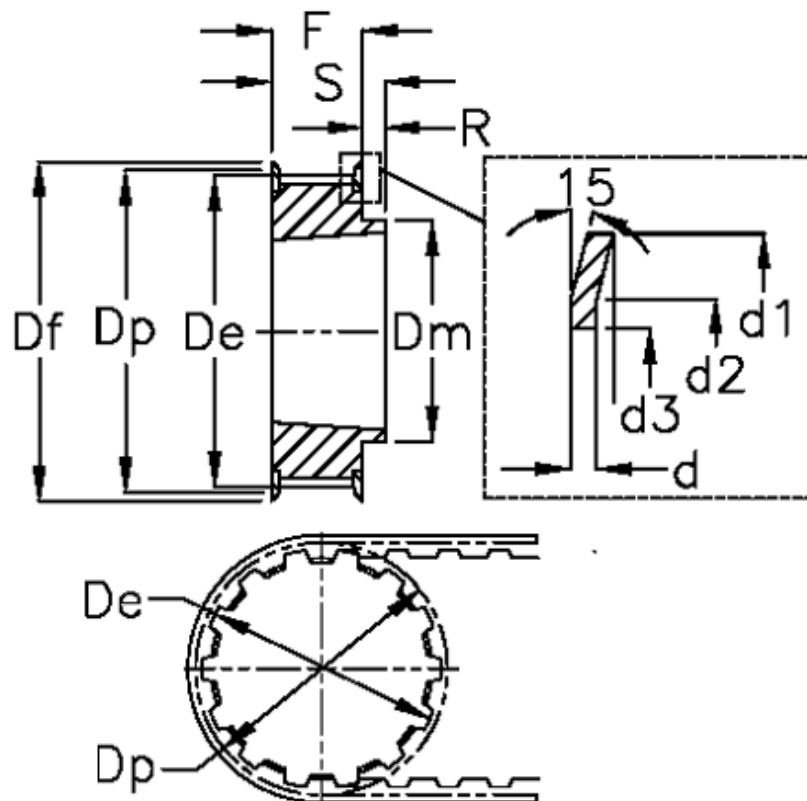


Article number: 604132044020

Description: Taper bored timing belt pulley
HTD 44 8M 20 TL 2012

Measures



d = 1.5	F = 28	Weight = 1.2
d1 = 120	Flange type = F38	Width = 20
d2 = 112.5	For bushing = 2012	
d3 = 99.5	Max bore = 50	
De = 110.67	r = 4	
Df = 120	S = 32	
Dm = 93	Tooth number = 44	
Dp = 112.05	Type = 8M	